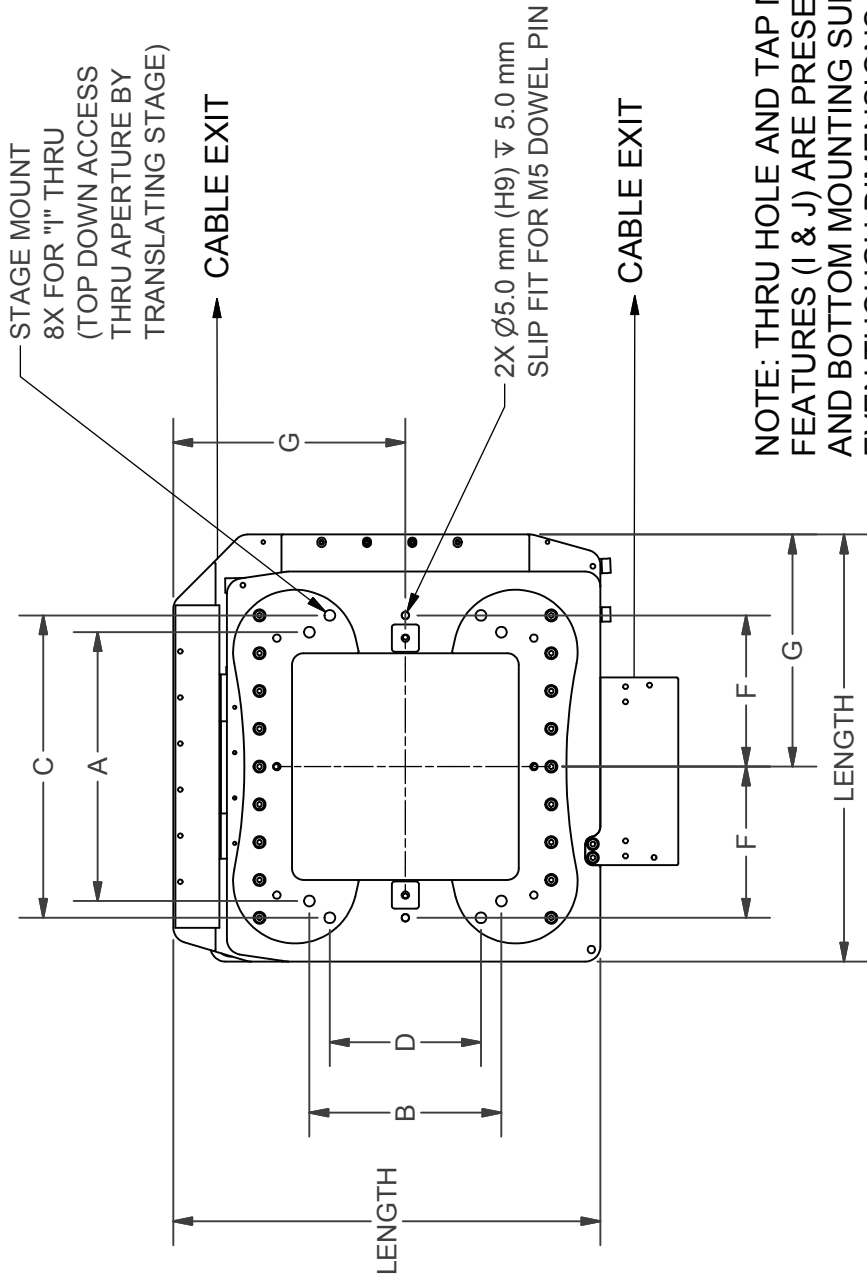
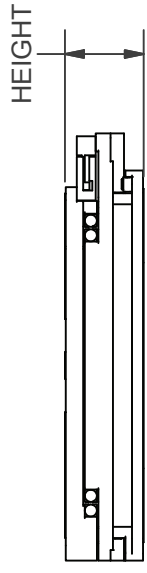
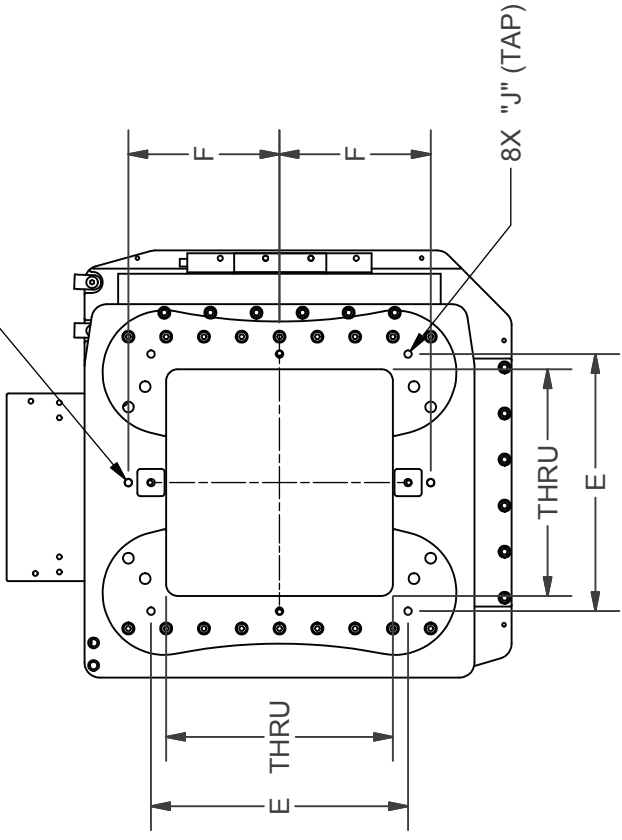
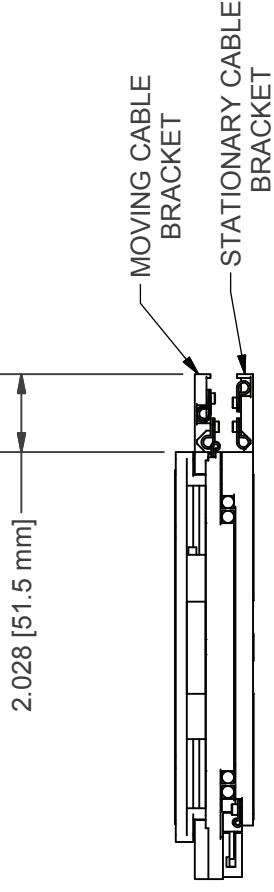
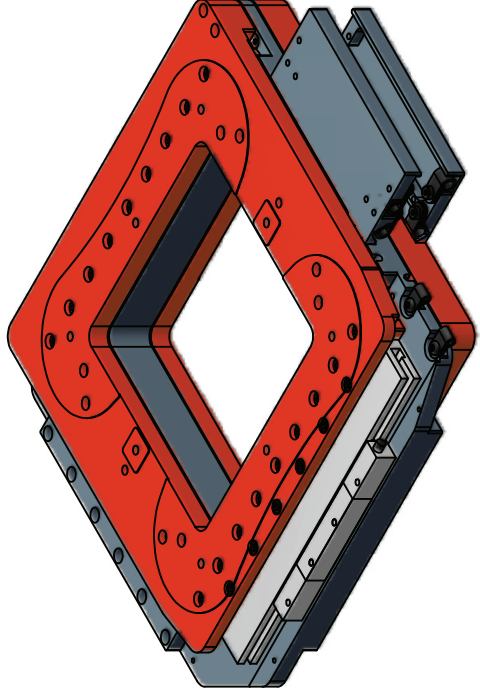


2X Ø5.0 mm (H9) ∇ 5.0 mm
SLIP FIT FOR M5 DOWEL PIN



NOTE: THRU HOLE AND TAP MOUNTING FEATURES (I & J) ARE PRESENT ON TOP AND BOTTOM MOUNTING SURFACES EVEN THOUGH DIMENSIONS ARE ONLY SHOWN ON ONE SURFACE.

NOTE: MODEL AI-CM-15000E-150-XY SHOWN



STANDARD FEATURES

Stage	Open Center Integrated XY Stage
Travel	50mm to 200mm
Motor	Ironless Core Linear Motor
Feedback	Non-Contact Optical Encoder
Scale	Gold Tape Scale Optional: Near Zero CTE ZeroMet
Resolution	1Vp-p Analog Output (5nm with 4096 Interpolation) Digital Output Options: 5mm, 1mm, 0.5mm, 0.2mm, 100nm, 50nm, 20nm**, 10nm**, and 5nm** (* Reduced Speeds Apply)
Sensors	Integrated Home and End of Travel Limits
Bearings	High Precision Crossed Roller Bearings
Cables	High Flex, 10M Cycle, 3m Length Optional: Cable Management Brackets ("-CAB")
Structure	Anodized Aluminum 6061-T6 Optional: Stainless Steel
Environment	Standard Optional: Clean Room and Vacuum (10-6 Torr)
Temperature	0°C to 50°C
Humidity	10% to 80% Non-Condensing
Precision	6-D Nano Precision™ Test Methods

TRAVEL	THRU	LENGTH	HEIGHT	A (inch)	B (inch)	C	D	E	F	G	H	I	J
50	50	179.5	45	3	1	100	25	60	40	102.5	n/a	M6 or 1/4-20	M5
100	100	229.5	52	5	3	150	75	120	70	127.5	52	M6 or 1/4-20	M6
150	150	282.5	52	7	5	200	100	170	100	153.5	52	M6 or 1/4-20	M6
200	200	332.5	65	11	7	250	150	225	125	178.5	62	M6 or 1/4-20	M6

* All units millimeters unless otherwise noted.
* All hole patterns centered on aperture centerline.

ALIO INDUSTRIES PROPRIETARY INFORMATION
(Tel) 303.339.7500 - SALES@ALIOINDUSTRIES.COM - WWW.ALIOINDUSTRIES.COM



DRAWN
NBROWN
CHECKED

5/12/2012

TITLE

AI-CM-(TRAVEL)00E-(THRU)-XY

SIZE
B

DWG NO
0010-08014

REV
001

FINISH
SEE NOTES

SCALE
1 OF 1

2

3

4

4