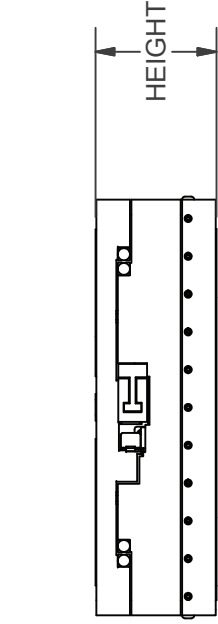
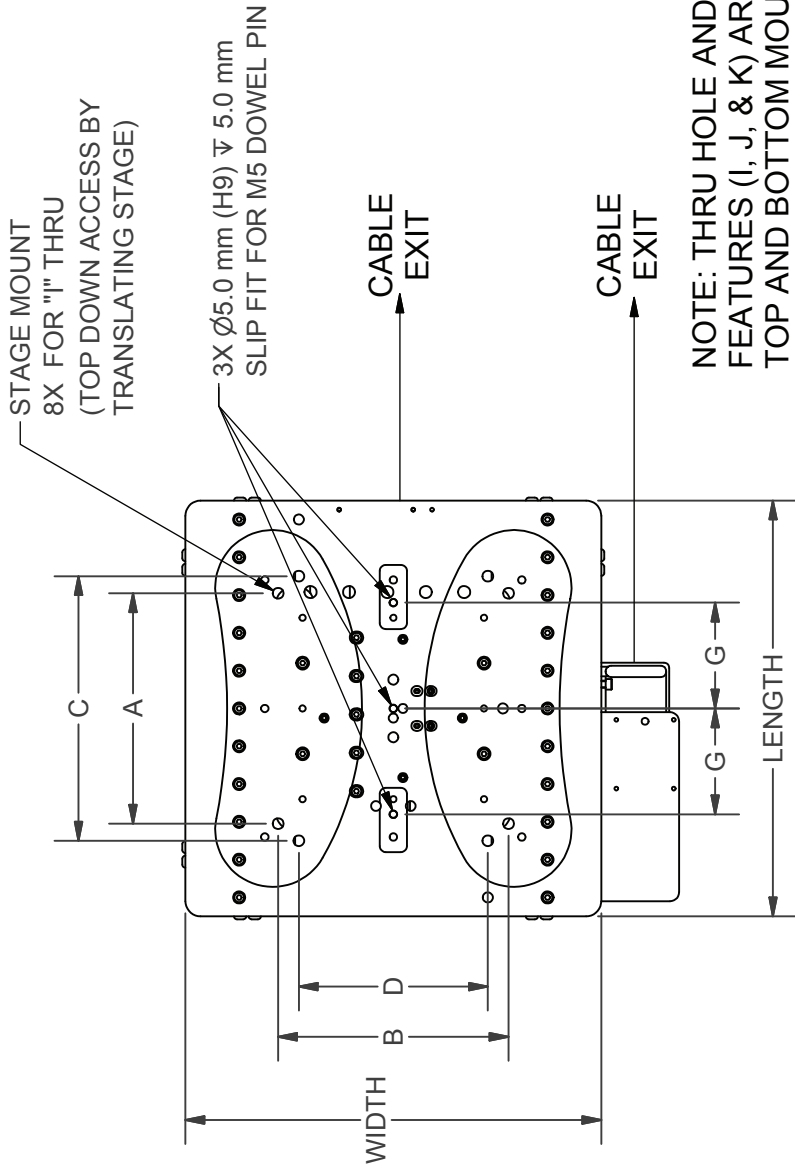


B



A

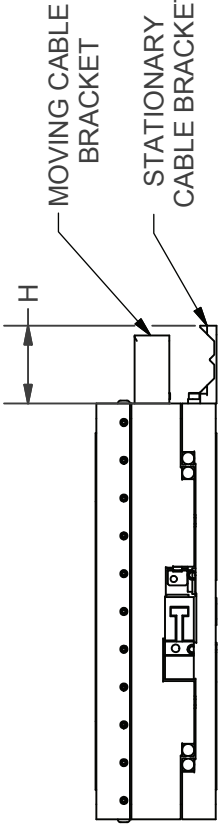
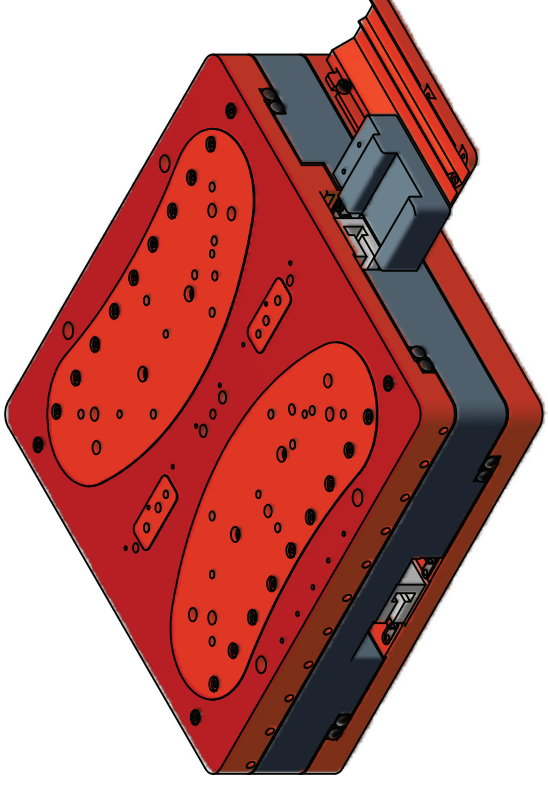


NOTE: THRU HOLE AND TAP MOUNTING FEATURES (I, J, & K) ARE PRESENT ON TOP AND BOTTOM MOUNTING SURFACES EVEN THOUGH DIMENSIONS ARE ONLY SHOWN ON ONE SURFACE.

NOTE: MODEL AI-LM-15000-XY SHOWN.

STANDARD FEATURES

Stage	Integrated XY Stage
Travel	50mm to 400mm
Motor	Ironless Core Linear Motor
Feedback	Non-Contact Optical Encoder
Scale	Gold Tape Scale
	Optional: Near Zero CTE ZeroMet
Resolution	1Vp-p Analog Output (5nm with 4096 Interpolation) Digital Output Options: 5um, 1um, 0.5um, 0.2um, 100nm, 50nm, 20nm**, 10nm**, and 5nm** (* ** Reduced Speeds Apply)
Sensors	Integrated Home and End of Travel Limits
Bearings	High Precision Crossed Roller Bearings
Cables	High Flex, 10M Cycle, 3m Length
Structure	Anodized Aluminum 6061-T6 Optional: Stainless Steel
Environment	Standard Optional: Clean Room and Vacuum (10-6 Torr)
Temperature	0°C to 50°C
Humidity	10% to 80% Non-Condensing
Precision	6-D Nano Precision™ Test Methods



TRAVEL	LENGTH	WIDTH	HEIGHT	A (inch)	B (inch)	C	D	E	F	G	H	I	J	K
50	152.5	152.5	80	5	4	125	75	75	100	35	n/a	M6 or 1/4-20	M5 (4X)	M6
100	244	244	80	6	6	175	125	120	170	70	52	M6 or 1/4-20	M5	M6
150	275	275	80	6	6	175	125	120	170	70	52	M6 or 1/4-20	M5	M6
200	336	336	90	7	5	225	200	170	225	100	65	M8 or 5/16-18	M6	M6 (6X)
250	400	400	115	12	8	350	250	170 & 225	275	100	96	M8 or 5/16-18	M6	M8 (6X)
300	500	500	115	12	8	350	250	170 & 225	275	100	96	M8 or 5/16-18	M6	M8 (6X)
400	700	700	125	22	16	24	18	350	400	100	125	M12 or 1/2-13	M8	M10 (6X)

* All units millimeters unless otherwise noted.
* All hole patterns centered on M5 dowel pin hole at center of stage.
* Custom and intermediate sizes available.
* Compact sizes with minimal performance impact available.

ALIO INDUSTRIES PROPRIETARY INFORMATION
(Tel) 303.339.7500 - SALES@ALIOINDUSTRIES.COM - WWW.ALIOINDUSTRIES.COM



TITLE

AI-LM-(TRAVEL)00-XY

SIZE DWG NO

0010-08000

REV

001

FINISH SEE NOTES SCALE

ALIO STD TEMPLATE - REV 006

SHEET 1

OF 1

4

3

2

1

1

2

3

4