

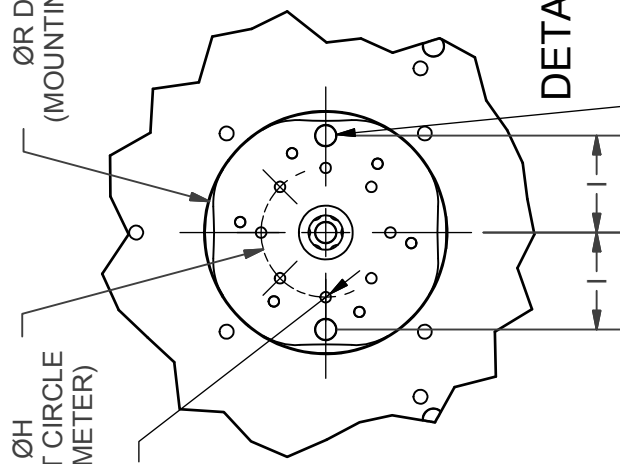
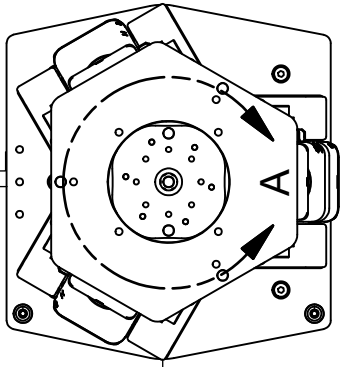


CABLE EXITS  
(TRIPOD CABLES LOOPED DOWN  
TO PIVOT POINT ON  
CUSTOMER'S SYSTEM BASE)

ØH  
(BOLT CIRCLE  
DIAMETER)

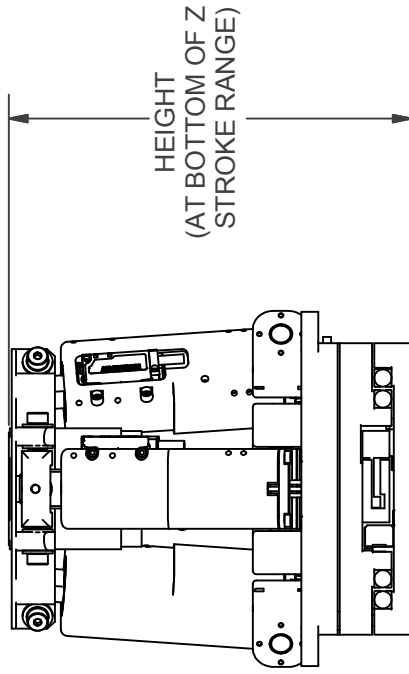
ØR DIAMETER  
(MOUNTING SURFACE)

8X "L" (TAP)  
(EQUALLY SPACED  
ON BOLT CIRCLE  
DIAMETER "H")



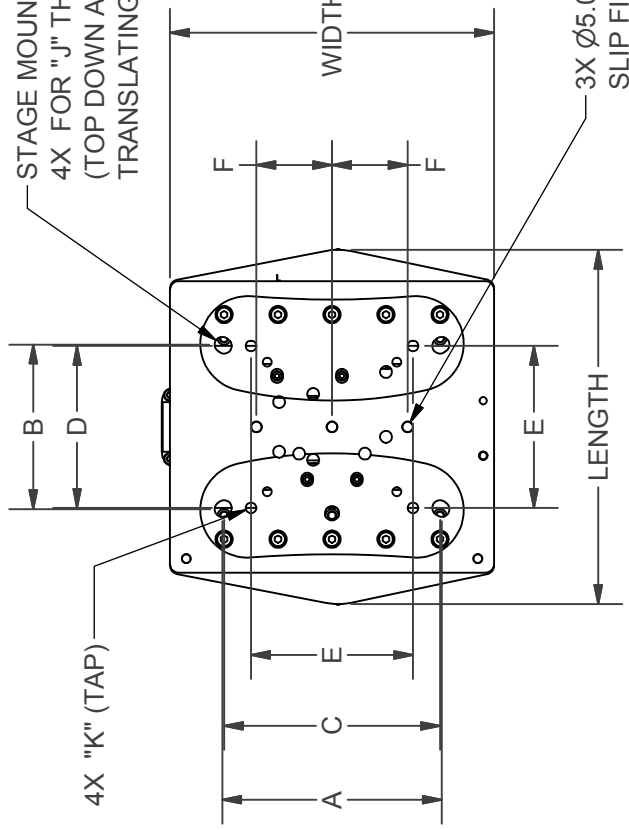
DETAIL A

2X Ø5.0 mm (H9)  $\nabla$  4.5 mm  
SLIP FIT FOR M5 DOWEL PIN



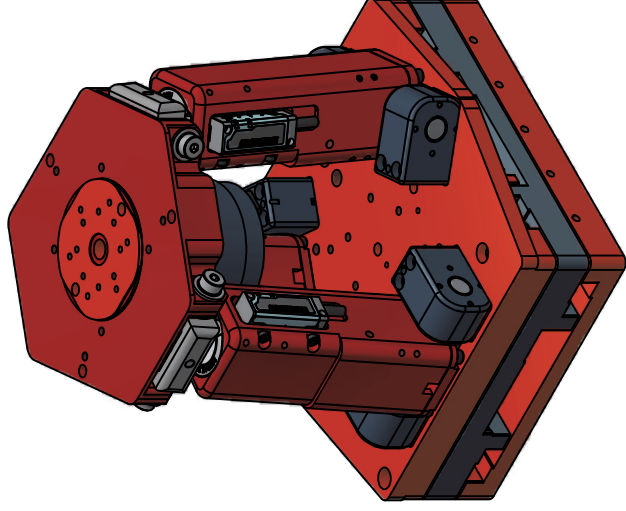
HEIGHT  
(AT BOTTOM OF Z  
STROKE RANGE)

STAGE MOUNT  
4X FOR "J" THRU  
(TOP DOWN ACCESS BY  
TRANSLATING STAGE)



4X "K" (TAP)

3X Ø5.0 mm (H9)  $\nabla$  5.0 mm  
SLIP FIT FOR M5 DOWEL PIN



### STANDARD FEATURES

Stage	Hybrid Hexapod
Travel	6 Degrees of Freedom (X, Y, Z, Pitch, Roll, and Yaw)
XY Travel	60 - 300+ mm
Z Travel	6 - 106 mm
Angular Travel	+/- 3 to +/- 18 degrees (Pitch and Roll) 360 degrees continuous (Yaw)
Max Payload	2.0 - 10.0+ kg
Motor	Ironless Core Linear Motor and Frameless Torque Motor
Feedback	Non-Contact Optical Encoder
Scale	Gold Tape Scale and Stainless Steel Ring Optional: Near Zero CTE ZeroMet
Linear Resolution	~5 nm
Angular Resolution	< 0.04 arc-sec
Sensors	Integrated Home and End of Travel Limits
Bearings	High Precision Crossed Roller Bearings, Ball Bushing
Counterbalance	None
Cables	High Flex, 10M Cycle, 3m Length
Structure	Anodized Aluminum 6061-T6 / Stainless Steel
Environment	Standard
Temperature	Optional: Vacuum 10-5 Torr, Vacuum 10-7 Torr
Humidity	0°C to 50°C
Precision	10% to 80% Non-Condensing 6-D Nano Precision™ Test Methods

XY TRAVEL	Z TRAVEL	PITCH & ROLL TRAVEL	R DIAMETER	OPTION LENGTH	WIDTH	HEIGHT	A (inch)	B (inch)	C	D	E	F	H	I	J	K	L
60	15	+/- 10 degrees	56	--	150	186.5	4	3	100	75	75	35	30	22.5	M6 or 1/4-20	M6	M3

\* All units millimeters unless otherwise noted.

\* All hole patterns centered on M5 dowel pin at center of XY stage or centered on thru hole of top rotary stage.

\* See specification sheet and contact ALIO technical sales for assistance in model selection.

ALIO INDUSTRIES PROPRIETARY INFORMATION  
(Tel) 303.339.7500 - SALES@ALIOINDUSTRIES.COM - WWW.ALIOINDUSTRIES.COM



TITLE  
**AI-HH-(XY TRAVEL)XY-  
(Z TRAVEL)Z-(R DIAMETER)R  
-(OPTION)**

DRAWN	5/12/2012	REV	001
NBROWN		DWG NO	0010-08040
CHECKED		SIZE	B
		FINISH	SEE NOTES
		SCALE	ALIO STD TEMPLATE - REV 006
		SHEET	1 OF 1

NOTE: MODEL AI-HH-60XY-15Z-56R SHOWN.

ALIO STD TEMPLATE - REV 006

1 OF 1