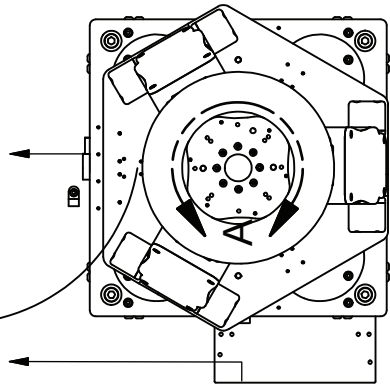




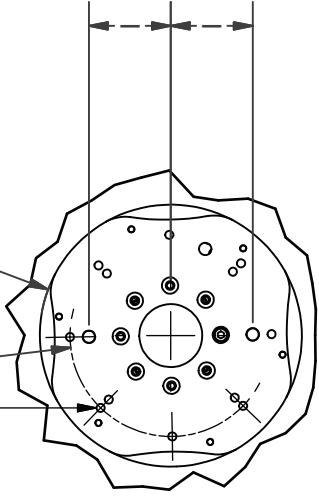
CABLE EXITS  
(TRIPOD CABLES LOOPED DOWN  
TO PIVOT POINT ON  
CUSTOMER'S SYSTEM BASE)



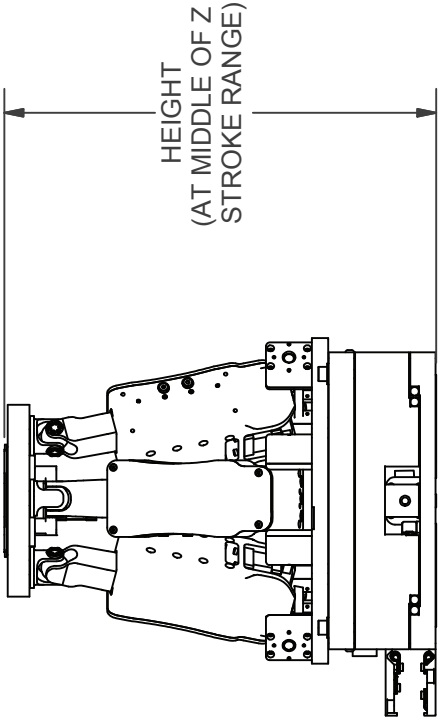
ØH  
(BOLT CIRCLE  
DIAMETER)

ØR DIAMETER  
(MOUNTING SURFACE)

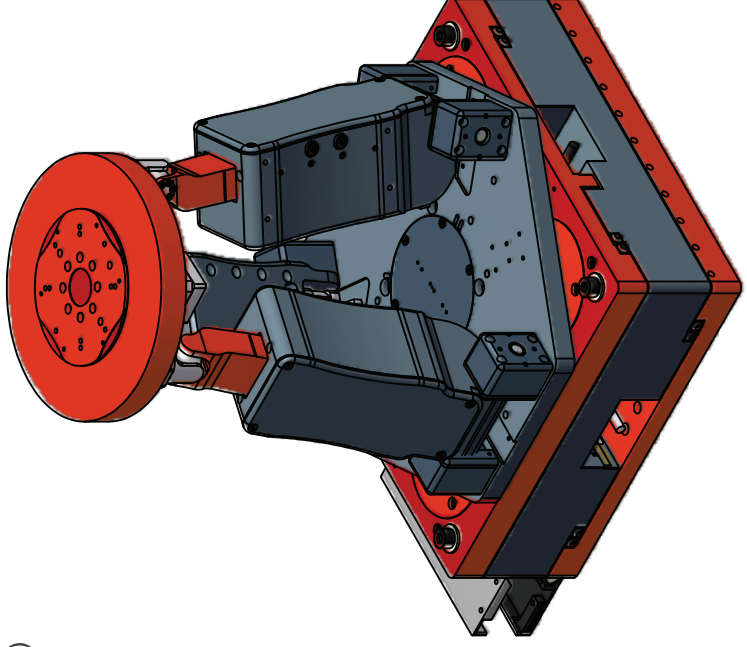
8X "L" (TAP)  
(EQUALLY SPACED  
ON BOLT CIRCLE  
DIAMETER "H")



DETAIL A



HEIGHT  
(AT MIDDLE OF Z  
STROKE RANGE)

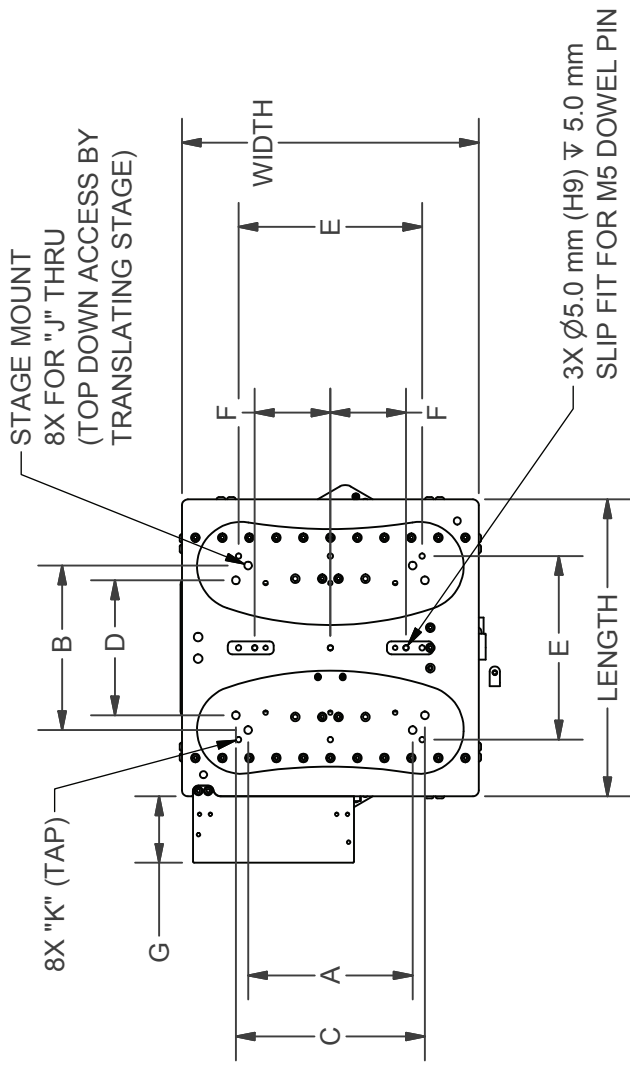


**STANDARD FEATURES**

Stage	Stepper Hybrid Hexapod
Travel	6 Degrees of Freedom (X, Y, Z, Pitch, Roll, and Yaw)
XY Travel	50 - 300+ mm
Z Travel	6 - 106 mm
Angular Travel	+/- 3 to +/- 30 degrees (Pitch and Roll) 360 degrees continuous (Yaw)
Max Payload	2.0 - 15.0+ kg
Motor	Stepper Motor
Feedback	Optional: Non-Contact Optical Linear Encoder Optional: Rotary Encoder (Integrated on Motor)
Scale	Gold Tape Scale and Stainless Steel Ring (Applies to Optical Encoder Option)
Linear Resolution	~5 nm
Angular Resolution	< 0.04 arc-sec
Sensors	Integrated Home and End of Travel Limits
Bearings	High Precision Crossed Roller Bearings
Cables	High Flex, 10M Cycle, 3m Length
Structure	Anodized Aluminum 6061-T6 Optional: Stainless Steel
Environment	Standard
Temperature	0°C to 50°C
Humidity	10% to 80% Non-Condensing
Precision	6-D Nano Precision™ Test Methods

XY TRAVEL	Z TRAVEL	PITCH & ROLL TRAVEL	R DIAMETER	OPTION	LENGTH	WIDTH	HEIGHT	A (inch)	B (inch)	C	D	E	F	G	H	I	J	K	L
200	60	+/- 30 degrees	104	--	301.5	275	400	6	6	175	125	170	70	62	80	32.5	M6 or 1/4-20	M6	M4

\* All units millimeters unless otherwise noted.  
\* All hole patterns centered on M5 dowel pin at center of XY stage or centered on thru hole of top rotary stage.  
\* See specification sheet and contact ALIO technical sales for assistance in model selection.



STAGE MOUNT  
8X FOR "J" THRU  
(TOP DOWN ACCESS BY  
TRANSLATING STAGE)

8X "K" (TAP)

3X Ø5.0 mm (H9) ∇ 5.0 mm  
SLIP FIT FOR M5 DOWEL PIN

ALIO INDUSTRIES PROPRIETARY INFORMATION  
(Tel) 303.339.7500 - SALES@ALIOINDUSTRIES.COM - WWW.ALIOINDUSTRIES.COM



TITLE  
**AI-6D-SM-(XY TRAVEL)XY-  
(Z TRAVEL)Z-(R DIAMETER)R  
-(OPTION)**

DRAWN	5/12/2012		
NBROWN			
CHECKED			
Tolerances: Surface Roughness: x.x ± .05 in [1.3 mm] x.xx ± .01 in [0.25 mm] ✓ RMS MAX. x.xxx ± .005 in [0.13 mm] Angles ± 0.5°			
MATERIAL			

FINISH	SEE NOTES	SCALE	ALIO STD TEMPLATE - REV 006	SHEET	1	OF	1
--------	-----------	-------	-----------------------------	-------	---	----	---

NOTE: MODEL AI-6D-SM-200XY-60Z-104R SHOWN.